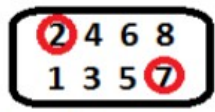


Attention !
 All Pins are 3.3V only
 Do **NOT** connect 5V signals without proper level shifting

V500+ Expansion Connector

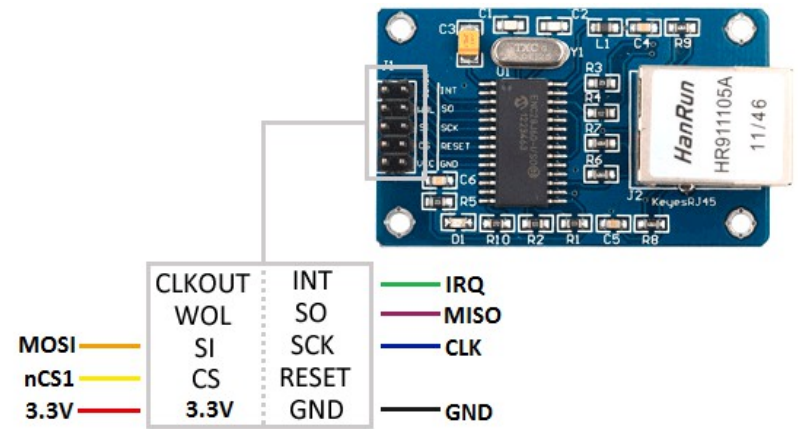


Seen from above

PIN2 = +3.3V
 PIN7 = GND

Pin Mapping for 3.3V ENC28J60-Modules (example : <https://tinyurl.com/ycuvqpo3>)

Expansion Connector	ENC28J60-Module
MISO (8)	So
MOSI(1)	SI
nCS1(3)	CS
CLK(6)	SCK
IRQ(5)	INT
GND(7)	GND
3.3V(2)	3.3V



Connector Pin	SPI Function	UART Function	Remarks
---------------	--------------	---------------	---------

1	MOSI	TXD	
2	+3.3V	+3.3V	
3	nCS1 (SDNET)	CTS	PULLUP 50k
4	nCS2 (USB etc)	GPO1	PULLUP 50k
5	IRQ	RTS	PULLUP 50k
6	CLK	GPO2	
7	GND	GND	
8	MISO	RX	PULLUP 50k